



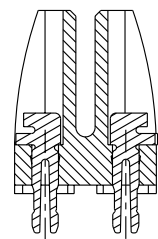
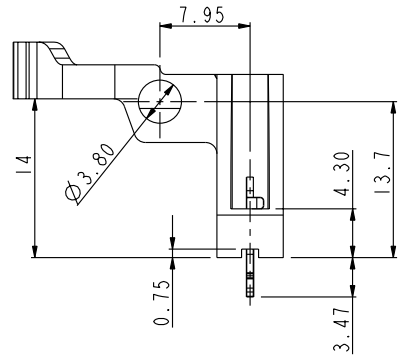
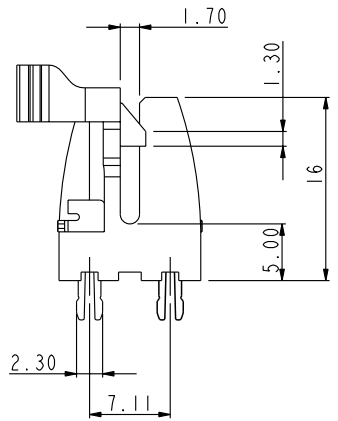
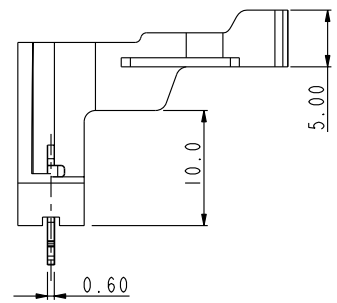
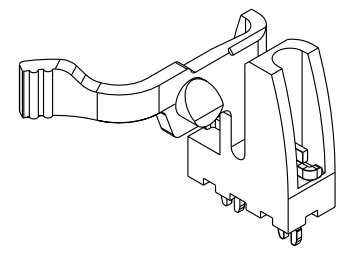
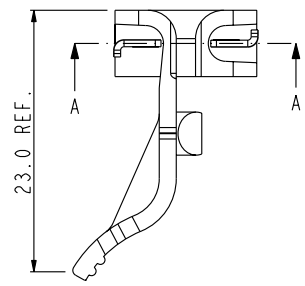
Tous droits strictement reserves. Reproduction ou communication a des tiers interdite sous quelque forme que ce soit sans autorisation écrite du propriétaire. Propriete de c FCI. Droits de reproduction FCI.

All rights strictly reserved. Reproduction or issue to third parties in any form whatever is not permitted without written authority from the proprietor. Property of FCI. Copyright FCI.

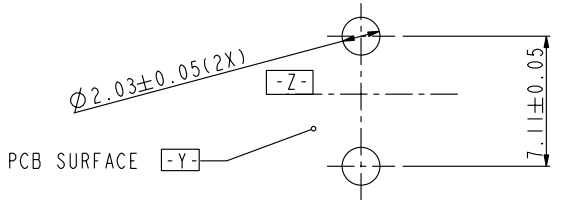
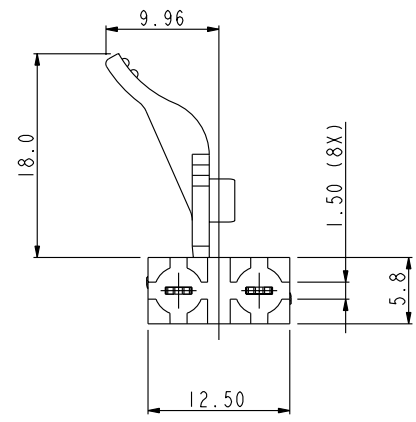
PRODUCT NO.	COLOR
10042618-001	DELL GREEN
10042618-002	BLUE
10042618-001LF	DELL GREEN
10042618-002LF	BLUE
10042618-003LF	BLACK

NOTES:

- MATERIAL:
HOUSING: HIGH TEMPERATURE NYLON, UL94V-0 RATED. SUITABLE FOR WAVE SOLDERING. AND WITHSTAND EXPOSURE TO 260°C±5°C SOLDER BATH TEMPERATURE FOR 5 SECONDS.
COLOR: DELL GREEN.
SOLDER PIN: COPPER ALLOY.
PLATING: 50µ" NICKEL UNDERPLATE ALL OVER 100µ" TIN
- RECOMMENDED PC BOARD THICKNESS OF 1.57 mm.
- P/N : SEE TABLE
- THIS PRODUCT IS COMPATIBLE RoHS.



SECTION A-A
SCALE 1.500



RECOMMENDED FOOTPRINT

tolerance unless otherwise specified	
linear	.X ± .3 .XX ± .2 .XXX ± .1
angles	0° ± 2°

www.fciconnect.com	<input checked="" type="checkbox"/> tolerance	<input type="checkbox"/> projection	MM	
			size A4	Scale 1.000
Dr MAGGIE WU 07/02/04	Product family		ECN T05-0262	
Eng R Y LIU 07/02/04	Spec ref		Rev. F	
Chr PAUL WANG 07/02/04	Material		sheet 1 of 1	
Appr JOSEPH HSIA 07/02/04	title		CUSTOMER DRAWING	
PCI EXPRESS RETENTION MECHANISM ASS'Y		dwg no 10042618	sheet 1 of 1	
rev	ecn no	dr	date	catalog no
A	T04-0331	M W	07/21/04	
B	T04-0364	M W	09/03/04	
C	T04-0391	M W	10/13/04	
D	T05-0102	M W	05/11/05	
E	T05-0110	M W	05/24/05	
F	T05-0262	M W	11/14/05	